



VILLA
SISTEMI
MEDICALI

DENTAL
LINE

D L C



Intra-oral x-ray unit with HF generator

ENDOS^{DC}

Endos DC. Efficiency is included.

In the new Endos DC intra-oral X-ray unit, everything has been designed to maximize the operating efficiency and allow you to concentrate on diagnosis and treatment, rather than on the procedure to get the radiographic image.

Constant potential DC technology

The brand new constant potential, very high frequency (100kHz) generator ensures the highest radiation stability and an unparalleled parameters accuracy. The DC technology completely eliminates the "soft radiation" which doesn't contribute to image production, yet it's harmful for the patient. The outcome is a reduction in the patient dose of 25% compared to conventional generators.

Moreover, this technology has allowed our engineers to design an exceptionally lightweight and compact tubehead (as short as 27cm) to give you the maximum ease of positioning. An adaptive algorithm optimizes the cooling time between two exposures, using the best duty cycle according to the actual work-load, starting from 1:15.

After a 0.2 seconds exposure, you just have to wait 3 seconds for the next shot. Once again this translates into high efficiency when you need to take several images in a sequence.

DLC Technology

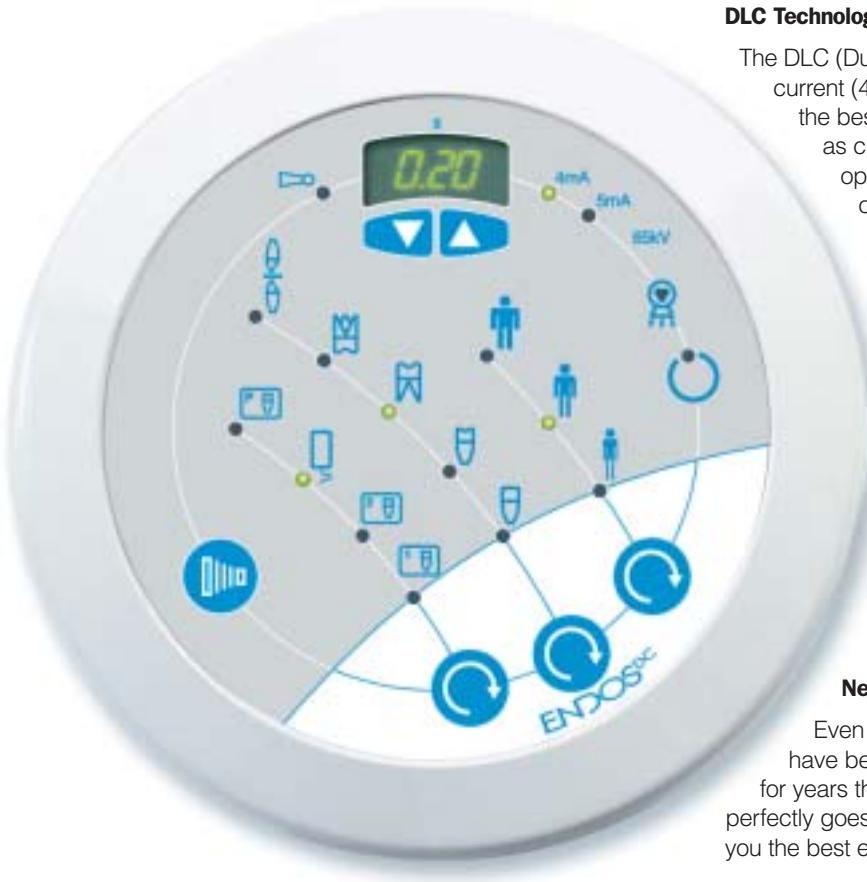
The DLC (Dual Low Current) technology sets the best exposure current (4 or 5 mA) according to the type of receptor to get the best image quality with both digital detectors, as well as classic films. The low current values have been optimized to take advantage of the very high sensitivity of the digital detectors as well as the new fast films.

Optimized parameters

The DC generator operates at 65kV, which offers the best tradeoff between depth of the gray scale and contrast in small details. You can choose among four different types of receptors: standard or new high speed films, digital detectors and even a fully user-programmable modality. Thanks to pre-programmed anatomic techniques, the choice of the diagnostic target is easily achieved in two quick steps: choose the size of the patient among the three available and choose the dentition area to be examined: that's all.

New arm

Even the finest details in the whole new aluminum arm have been carefully designed so that you will appreciate for years the quality of Endos DC. The lightness of positioning perfectly goes along with stability, always with the goal of giving you the best effectiveness in everyday use.





Quality of details

The X-ray pushbutton has also been studied to give the best grip and ergonomics. The coiled cord (extensible to 3m) has been realized to keep its shape and withstand for years the high strains applied daily.

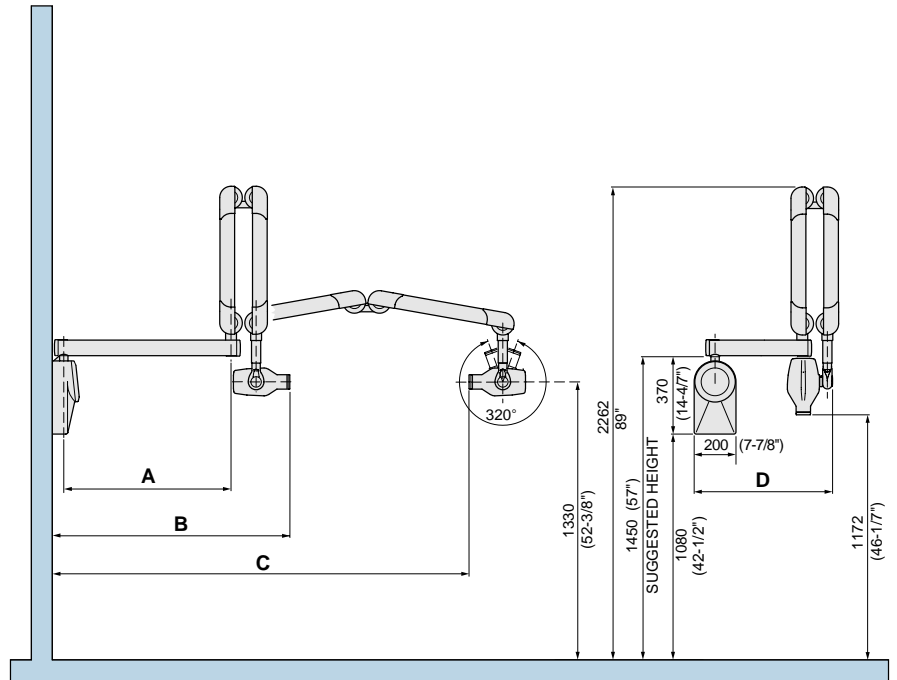
Hygiene

All the materials in Endos DC have glossy finish and have been studied to be easily and quickly cleaned to protect the hygiene of your working environment, and to last for years to protect your investment.

Flexibility

To adapt to every installation condition, Endos DC can be configured with a remote keyboard that allows you to set all the system parameters outside the examination room.





Accessories

30cm extension cone

This accessory extends the source to skin distance to 30cm to take images using the parallel technique. A command on the keyboard will automatically adjust the exposure times for the extended cone.

35x45mm collimator

The 35x45mm collimator can be used to limit the irradiated area, thus reducing the patient dose and minimizing the scattered radiation.

Energetic efficiency

Endos DC not only has been designed in conformity to current international standards, such as the European CE mark for Medical Devices to minimize electromagnetic pollution, but it's already compliant to the forthcoming International directives about mains fluctuations thanks to special circuitry that optimizes the energy utilization.

Safety

Endos DC incorporates advanced self-diagnostics that prevent and signal every operation anomaly. A special safety device eliminates the risk of unwanted exposures, inhibiting the X-ray pushbutton when the unit is not in use.

Dimensional Data

TOTAL REACH (B)	
Extension arm A = 30cm (11-13/16")	635mm (25")
Extension arm A = 60cm (23-5/8")	935mm (36-13/16")
Extension arm A = 80cm (31-1/2")	1135mm (44-11/16")
TOTAL INSIDE REACH (C)	
Extension arm A = 30cm (11-13/16")	1495mm (58-7/8")
Extension arm A = 60cm (23-5/8")	1795mm (70-11/16")
Extension arm A = 80cm (31-1/2")	1995mm (78-1/2")

Product Data

Power supply	220/230/240V ±10% 50/60 Hz 110/120V ±10% 50/60 Hz
X-ray tube	Constant potential DC 65 kV, 4 e 5 mA
Focus spot	0.7 mm IEC 336
Focus to skin distance	20cm (7-7/8") standard 30cm (11-13/16") with optional collimator cone extension
X-ray field (at collimator tip)	Diameter 60mm (2-3/8") 35x45mm (1-3/8" x 1-3/4") with optional diaphragm
Duty cycle	1:15 (adaptive control)
Exposure times	0.01 to 2s in 35 steps
Anatomic programs	60 pre-set times

Villa Sistemi Medicali

long-standing experience at the service of our customers



Competence in x-ray systems

Villa Sistemi Medicali specialists can provide qualified information on new x-ray systems, room structure and installation and equipment positioning.

A wide range of equipment

Villa Sistemi Medicali is among the major European manufacturers of radiological systems and offers a wide range of products, such as:

- Digital radiographic and angiographic systems
- Remote controlled tables
- Classical tilting tables
- General rad floating tables
- Chest stands
- Mobile units
- Surgical C arms
- HF Generators
- Dental units, Intra-oral and panoramic

Our priority: Technical Service

A wide network of highly skilled service engineers ensures effective and reliable maintenance of all Villa Sistemi Medicali equipment installed worldwide. Preventive maintenance programs and Service Contracts are adapted to the needs of our customers.

Logistic services: a widespread presence

Spare parts, accessories and consumables are shipped daily by Villa Sistemi Medicali to all its customers worldwide.