



VILLA
SISTEMI
MEDICALI

DENTAL
LINE

D I G I T A L



Strato 2000 FullDigital

Real time digital image acquisition
High resolution CCD detector
Direct storage of images on
CompactFlash® memory cards

**Digital technology:
for precise, immediate,
and economic results**



The Full Digital version of Strato 2000 sets you free from films, cassettes, chemicals and issues related to their handling and disposal costs.

Moreover, the reduction of retakes - resulting in higher patient throughput - will significantly reduce examination costs, guaranteeing a quick return on investment, with the additional benefit of giving a better service to your patients.

Image quality

The system employs a state-of-the-art high resolution CCD sensor with a CsI (Cesium - Iodide) scintillator screen providing for exceptional sharpness and image quality. Images are transferred to the PC in real time via a high speed USB 2.0 connection and can be seen forming right on-screen during the exposure. This feature allows for an immediate feedback of the exposure accuracy and the reduction of retakes.

USB 2.0 ports are present in all recent PCs and there is no need for dedicated image acquisition boards, making it possible to operate Strato 2000 using a laptop.

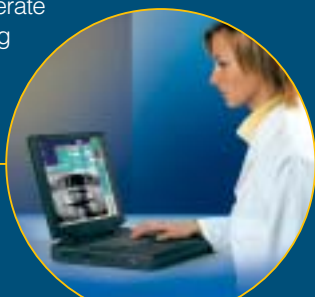
Freedom of use

Image acquisition without connecting directly to a PC is also possible. The unit is in fact equipped with a slot for "CompactFlash®" memory cards.

Images acquired in this operating mode are stored on the CompactFlash® card and can be transferred to any PC at your convenience after the acquisition, by inserting the memory card into an appropriate card-reader.

Low cost CompactFlash® cards are widely used in consumer digital cameras and are available in any electronics shop.

The high resolution CCD sensor with a CsI (Cesium - Iodide) scintillator screen



Always at the best

A powerful and user-friendly software will get the most out of each image. Post-processing features include filters, magnification, contrast, brightness and gamma adjustment, measurements, printing, archiving, and much more.

Integrated environment

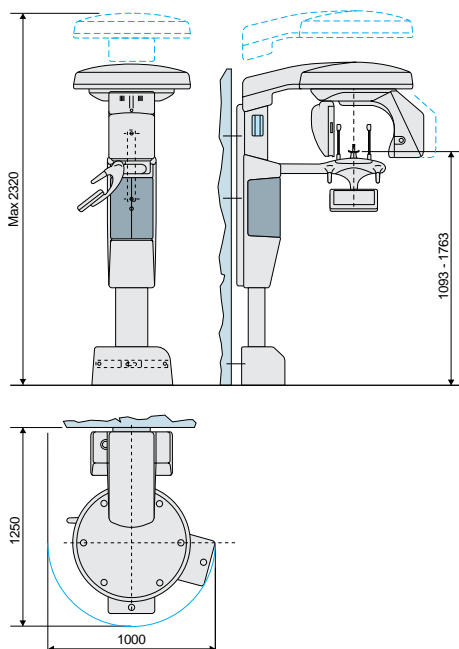
All examination setup activities can be performed using a "virtual keyboard" which replicates the Strato 2000 console functions on the PC. Examination setup time is considerably reduced, increasing the overall efficiency of your practice.

For instance, in the case of a returning patient, you can repeat an existing exam using the exact same settings previously employed, thus obtaining perfectly comparable images.

Examination programs

The basic model includes full panoramic, hemi-panoramic and child panoramic examination programs. The scope of applications can be further extended with the optional DXP (Digital eXtended Programs) package that adds the following programs:*

- Improved Orthogonality Panoramic
- Frontal Dentition with Increased Focal Trough
- Open-Closed mouth TMJ
- Bi-Axial TMJ
- Postero-Anterior TMJ
- Sinuses in Frontal and Lateral view



The Strato 2000 platform

The digital CCD sensor helps you get the best out of the features inherent to the Strato 2000 series, such as high performance HF generator, motorized column, frontal patient positioning and laser beams that ensure high positioning accuracy. The multi-motor technology offers the widest possible application latitude thanks to its capability of employing complex movement trajectories and of being fully expandable to accept new programs.



Technical Data

CCD sensor matrix	3072x5010
CCD sensor resolution	10.4 lp/mm
Gray levels	4096, 12 bits
High voltage	50 ÷ 80kVp, in 2 kV steps
Anode current	4 ÷ 10mA, in 1 mA steps
Focal spot	0.5 (IEC336)
Exposure time for PAN	15 sec adult, 13.5 sec child
Power supply voltage	230/120 Vac (±10%) single phase, 50/60Hz
Absorbed current	8 A @ 230V, 15A @ 108V
Weight	135kg

** Some of the exams may be under development at the time of publication of this brochure. Contact Villa Sistemi Medicali sales network for up to date availability. Products are continuously under review in order to guarantee the highest possible quality standards and the implementation of technological progress. Effective specifications can therefore vary and may be subject to modification without prior notice.*

Villa Sistemi Medicali

long-standing experience at the service of our customers



Competence in x-ray systems

Villa Sistemi Medicali specialists can provide qualified information on new x-ray systems, room structure and installation and equipment positioning.

A wide range of equipment

Villa Sistemi Medicali is among the major European manufacturers of radiological systems and offers a wide range of products, such as:

- Digital radiographic and angiographic systems
- Remote controlled tables
- Classical tilting tables
- General rad floating tables
- Chest stands
- Mobile units
- Surgical C arms
- HF Generators
- Dental units, Intra-oral and panoramic

Our priority: Technical Service

A wide network of highly skilled service engineers ensures effective and reliable maintenance of all Villa Sistemi Medicali equipment installed worldwide. Preventive maintenance programs and Service Contracts are adapted to the needs of our customers.

Logistic services: a widespread presence

Spare parts, accessories and consumables are shipped daily by Villa Sistemi Medicali to all its customers worldwide.